

ULTRA MAX®

Sealed Gel Rechargeable Battery Product Specification

SLAUMXNPG22-12 (12V22AH)



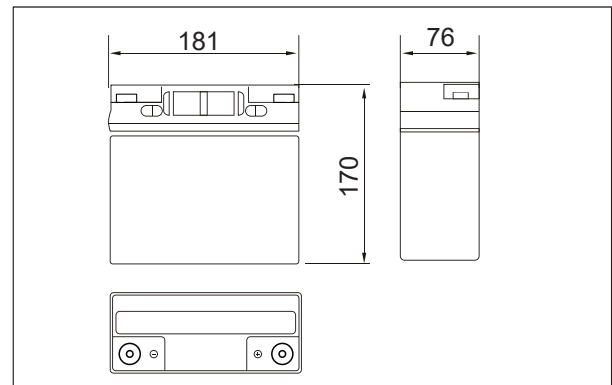
● Specifications

Nominal Voltage		12V
Rated capacity (20 hour rate)		22Ah
Dimensions	Total Height	170 mm(6.69 inches)
	Height	170 mm(6.69 inches)
	Length	181 mm (7.12 inches)
	Width	76 mm (2.99 inches)
Weight Approx		6.1 Kg (13.44 lbs)

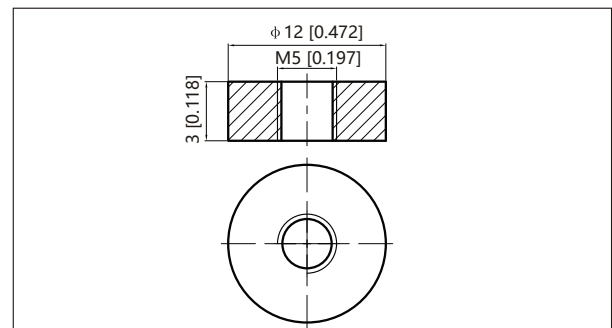
● Characteristics

Capacity 25°C(77°F)	20 hour rate(1.12 A)	22.3 AH
	10 hour rate(2.04 A)	20.4AH
	5 hour rate(3.60 A)	18.0AH
	1 hour rate(16.00 A)	16.0AH
	1.5 hour discharge to 10.5V	8.80 A
Internal Resistance	Full charged Battery at 25°C(77°F)	11 mΩ
Capacity affected by Temperature (20 hour rate)	40°C(104°F)	102%
	25°C(77°F)	100%
	0°C(32°F)	85%
	-15°C(5°F)	65%
Self-Discharge at 25°C(77°F)	Capacity after 3 month storage	93%
	Capacity after 6 month storage	83%
	Capacity after 12 month storage	65%
Terminal	M5	
Charge (constant Voltage)	Cycle	Maximum Charging Current 6.60 A Voltage 14.50-14.90V
	Float	Voltage 13.60-13.80V

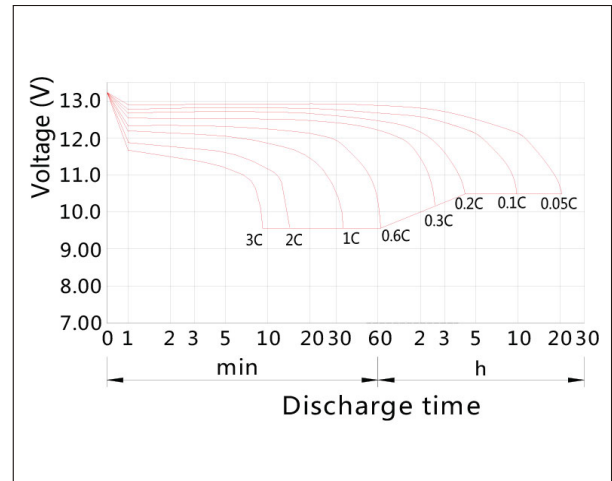
● Outer dimensions (mm)



● Terminal Type (mm)



● Discharge Curves 25°C(77°F)



Constant Current(Amp) and Constant Power(Watt) Discharge Table at 25 °C(77 °F)

Time		5Min	10Min	15Min	30Min	2Hr	3Hr	4Hr	5Hr	8Hr	10Hr	20Hr
9.60V	A	64.71	48.19	37.71	24.8	9.126	6.602	5.27	4.475	3.031	2.516	1.379
	W	682.7	513.2	411.1	278.3	107.6	78.76	62.82	53.38	36.19	30.07	16.54
10.20V	A	62.84	45.85	36.94	24.39	9.058	6.577	5.246	4.448	3.006	2.492	1.354
	W	669.2	497.5	404.5	278	107	78.59	62.74	53.25	36.01	29.88	16.25
10.50V	A	60.97	44.24	36.36	24.31	8.989	6.526	5.221	4.422	2.982	2.468	1.329
	W	661.6	484.4	400	277.4	106.4	78.25	62.6	53.06	35.78	29.61	15.95
10.80V	A	55.4	41.3	35.02	24.18	8.92	6.501	5.173	4.369	2.957	2.444	1.3
	W	609.4	456.4	386	276.1	105.6	77.95	62.02	52.43	35.48	29.32	15.6
11.10V	A	50.58	38.11	32.66	24.05	8.76	6.324	5.051	4.262	2.839	2.366	1.234
	W	561.5	425.7	360.9	274.9	104.2	75.82	60.61	51.15	34.07	28.39	14.81